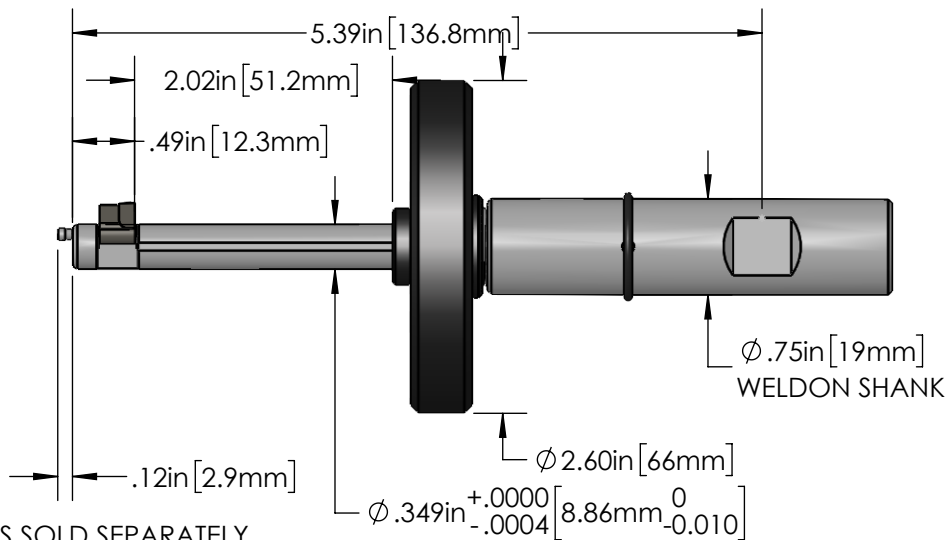
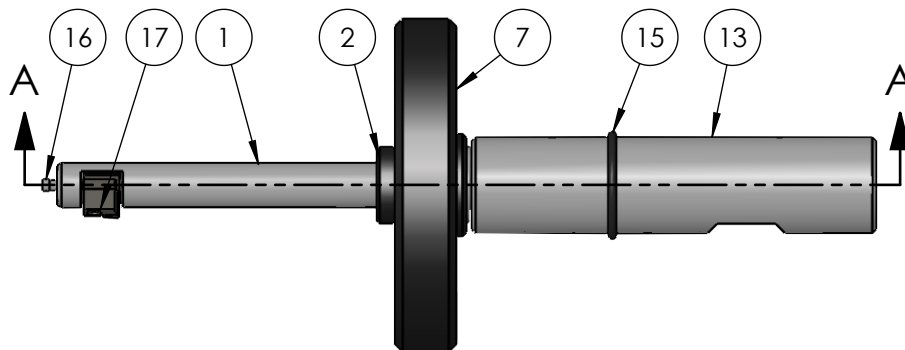
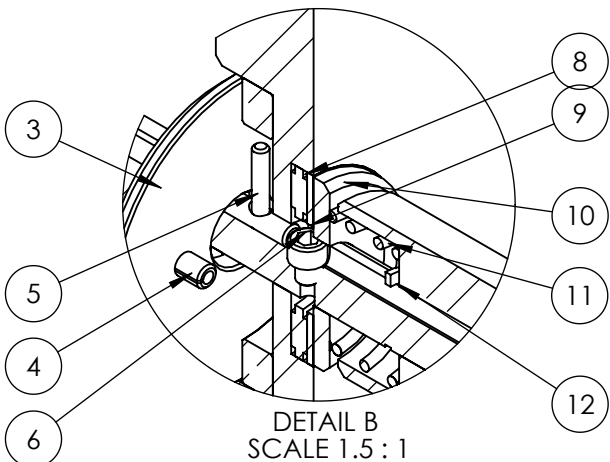
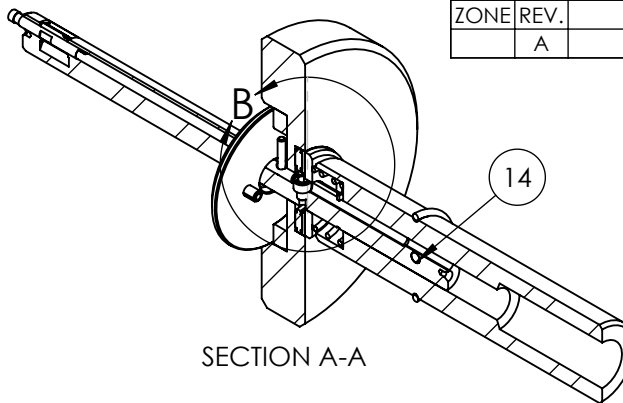


NOTES:

- 1. PILOT HOLE DIAMETER TO BE HELD TO: $\varnothing 9.00 \pm 0.076 \text{mm}$
- 2. APPROXIMATE TOOL WEIGHT: 1.061 LBS
- 3. CUTTER BLADE SHOWN FOR REFERENCE ONLY, TOOL DESIGNED TO WORK WITH CB34-X.XXM BLADES.

| REVISIONS | | | | |
|-----------|------|-------------|------|----------|
| ZONE | REV. | DESCRIPTION | DATE | APPROVED |
| | A | RELEASED | 1/20 | M.Hoyt |



| ITEM NO. | PART NUMBER | DESCRIPTION | OPEN /QTY. | Spare Qty |
|----------|---------------|--|------------|-----------|
| 1 | 39.3402-9.00M | CUTTER BODY | 1 | |
| 2 | 34-31-51 | STOP COLLAR | 1 | |
| 3 | 30-31-51 | ACTIVATOR DISK | 1 | |
| 4 | 016-556-.218 | ACTIVATOR PIN | 2 | 2 |
| 5 | 13-2802-52 | ACTIVATING ROD | 1 | 1 |
| 6 | 028-177-M | SHCS, #2-56 X 3/32 | 1 | |
| 7 | 35-31-51 | FLYWHEEL ASSEMBLY | 1 | |
| 8 | 003-002 | THRUST BEARING | 1 | |
| 9 | 014-304 | THRUST WASHER | 1 | |
| 10 | 36-31-51 | SPRING SPACER | 1 | |
| 11 | 017-088 | SPRING | 1 | |
| 12 | 026-008 | RETAINING RING, CRESCENT, C-28ST | 1 | 1 |
| 13 | 203110-02 | SHANK, WELDON, $\varnothing .75 \text{in}$ | 1 | |
| 14 | 203020-02 | SHEAR PIN | 1 | 3 |
| 15 | 015-112 | O-RING | 1 | 1 |
| 16 | 202812 | PIVOT PIN, 0.0935 | 1 | 1 |
| 17 | CB34-X.XXM | CUTTER BLADE | 1 | |

BLADES SOLD SEPARATELY



Steiner Technologies, Inc.
 180 Perinton Pkwy
 Fairport, NY 14450
 (P) 888-327-1949

ENDUSER: Steiner
 DRAWN BY: M.Hoyt
 DWG DATE: 1/8/2020



SCALE 1:2 DWG SIZE: A SHEET: 1 OF 2
 TITLE: Autofacer - 55.3402

SERIAL NO. AF34-9.00
 REV. A

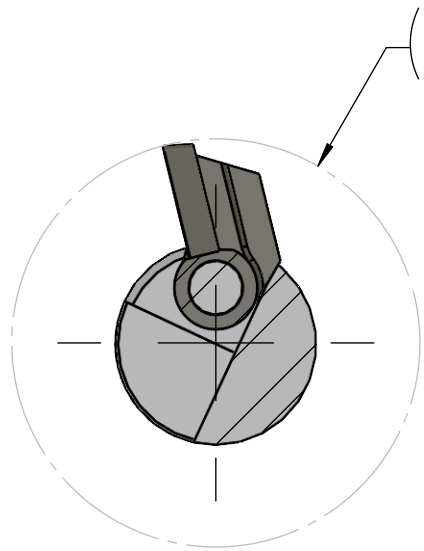
4

3

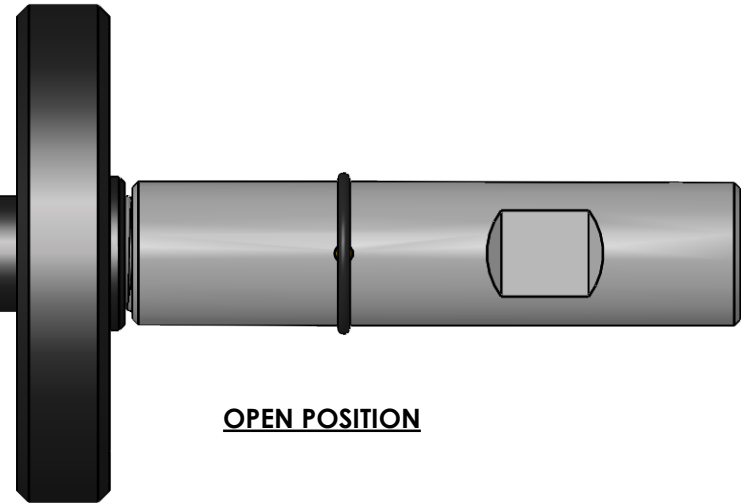
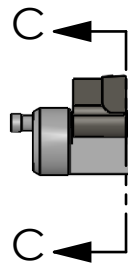
2

1

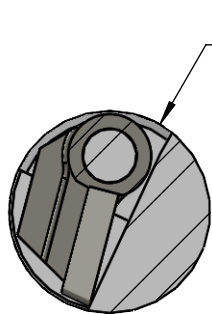
| REVISIONS | | | | |
|-----------|------|-------------|------|----------|
| ZONE | REV. | DESCRIPTION | DATE | APPROVED |
| | A | RELEASED | 1/20 | M.Hoyt |



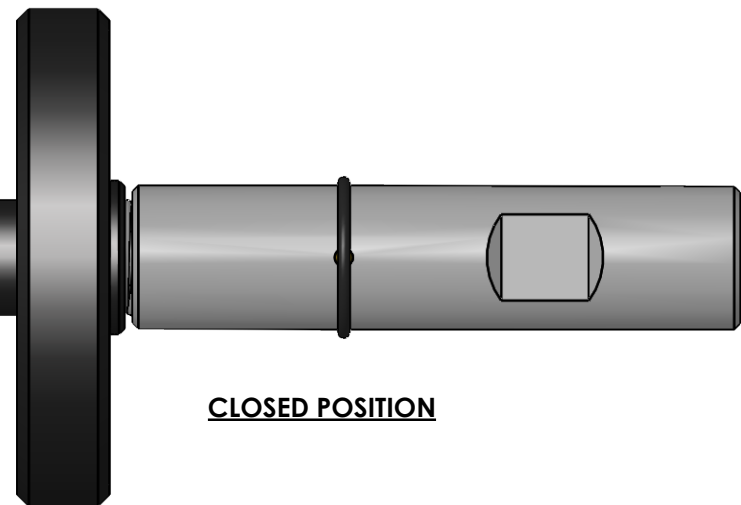
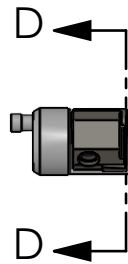
SECTION C-C
SCALE 3 : 1



OPEN POSITION



SECTION D-D
SCALE 3 : 1



CLOSED POSITION

STEINER

Steiner Technologies, Inc.
180 Perinton Pkwy
Fairport, NY 14450
(P) 888-327-1949

ENDUSER: Steiner
DRAWN BY: M.Hoyt
DWG DATE: 1/8/2020



SCALE 1:2 DWG SIZE: A SHEET: 2 OF 2
TITLE: Autofacer - 55.3402

SERIAL NO.

AF34-9.00

REV.
A

4

3

2

1