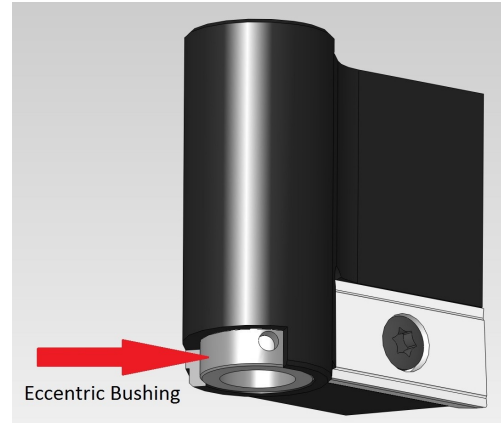
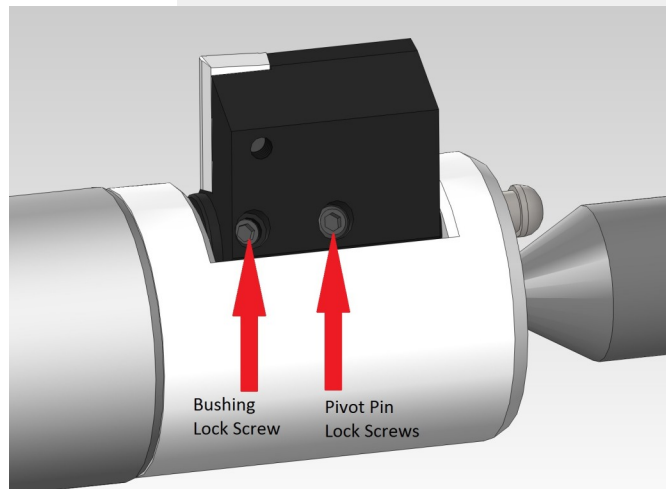


## Setting Your Adjustable Master Holder or Cutter Blade

Your Adjustable Master Holder or Cutter Blade is equipped with an Eccentric Bushing. By rotating the bushing, the blade can be adjusted in or out. A set screw keeps the bushing locked in place after the cutting diameter has been set.



For best results, mount your Autofacer between centers on a surface plate. Make sure the blade is installed correctly and is locked onto the flat of the pivot pin (see "Cutter Blade Installation Instructions"). **Slightly** loosen all set screws. Using a known diameter (usually the pilot diameter which is held within .0005"), calculate cutting radius from centerline of tool.



Using a hex wrench or something similar, rotate the Eccentric Bushing until required cutting radius is met. Re-tighten the set screw that is closest to the shank of the Autofacer to lock the Eccentric Bushing into place. Then re-tighten the Pivot Pin lock screws located midway between the width of the blade.

