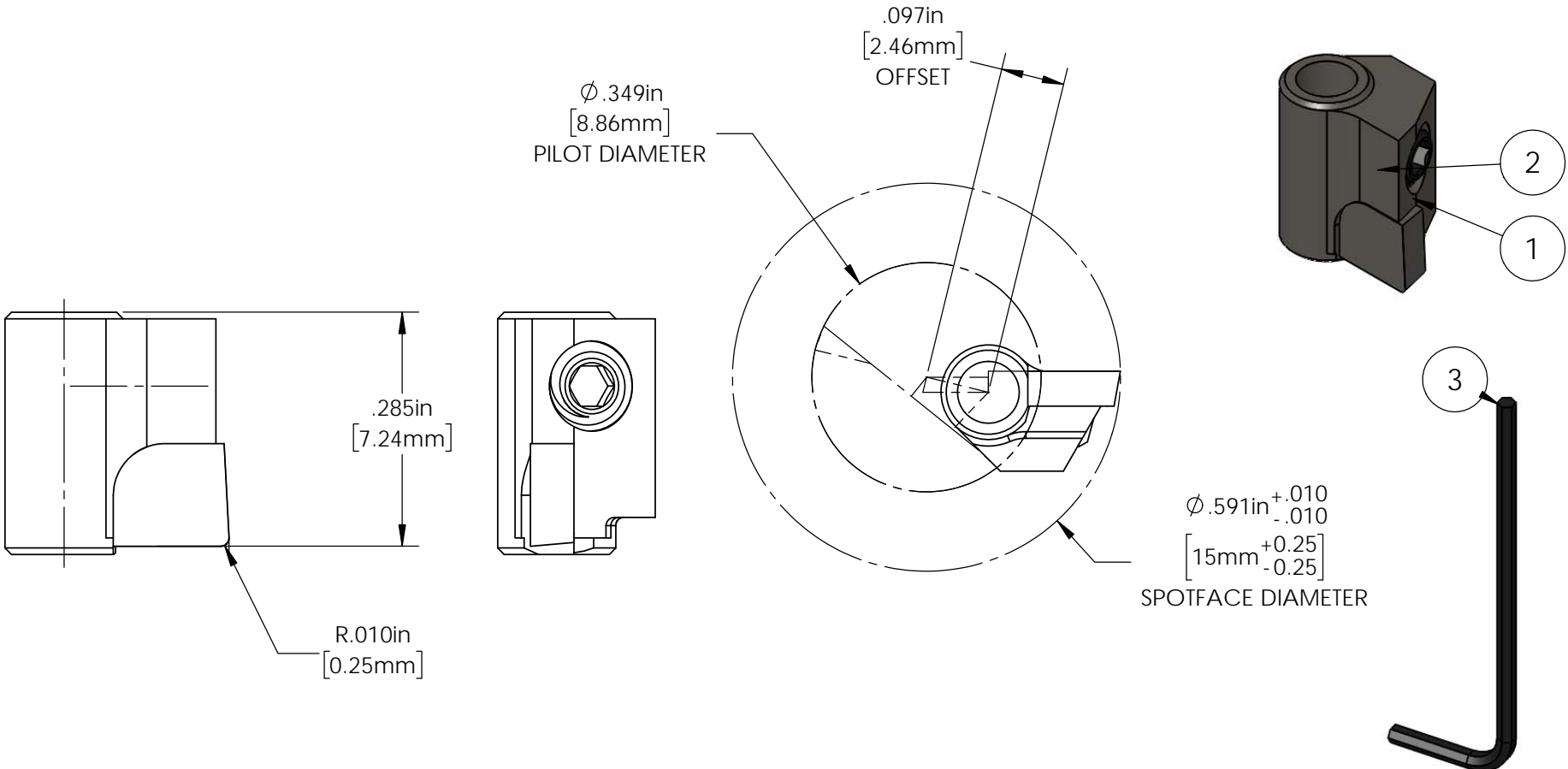


REVISIONS				
ZONE	REV.	DESCRIPTION	DATE	APPROVED
	A	RELEASED	1/20	M.Hoyt



ITEM NO.	PART NUMBER	DESCRIPTION	QTY.
1	2025	CUTTER BLADE BLANK	1
2	029-550	SOCKET SET SCREW, M2.5 X 0.45 X 3	1
3	031-050	HEX ALLEN WRENCH, 0.050in	1
4	2060	CARBIDE BLANK	1

CARBIDE: **MG**  
 COATING: **NONE**

THIS DRAWING IS THE CONFIDENTIAL AND EXCLUSIVE PROPERTY OF STEINER TECHNOLOGIES, INC. AND MAY NOT BE COPIED, REPRODUCED, OR DISCLOSED IN ANY WAY, WHATSOEVER TO ANYONE WITHOUT THE EXPRESS WRITTEN PERMISSION OF R. STEINER TECHNOLOGIES, INC. UNLAWFUL DISCLOSURE MAY RESULT IN PROSECUTION

UNLESS OTHERWISE SPECIFIED DIMENSIONS ARE IN INCHES  
 TOLERANCES UNLESS SPECIFIED  
 XX ±0.020 XXX ±0.005 ANGLES ±0.5°  
 XXX ±0.010 XXXX ±0.0005  
 INTERPRET TO ASME Y14.5M-1994

DRAWN BY: M.Hoyt  
 DWG DATE: 1/8/2020  
 ENDUSER: Steiner  
 FINISH: NONE  
 MATERIAL: 4140  
 HT:

**STEINER**  
 Steiner Technologies, Inc.  
 180 Perinton Pkwy  
 Fairport, NY 14450  
 (P) 888-327-1949  
 TITLE:  
 CUTTER BLADE Ø15mm +0.010/-0.010

SCALE 5:1  
 DWG SIZE A  
 REV. A  
 SHEET: 2 OF 2  
 DRAWING NO.  
**CB34-15.00M**