

4

3

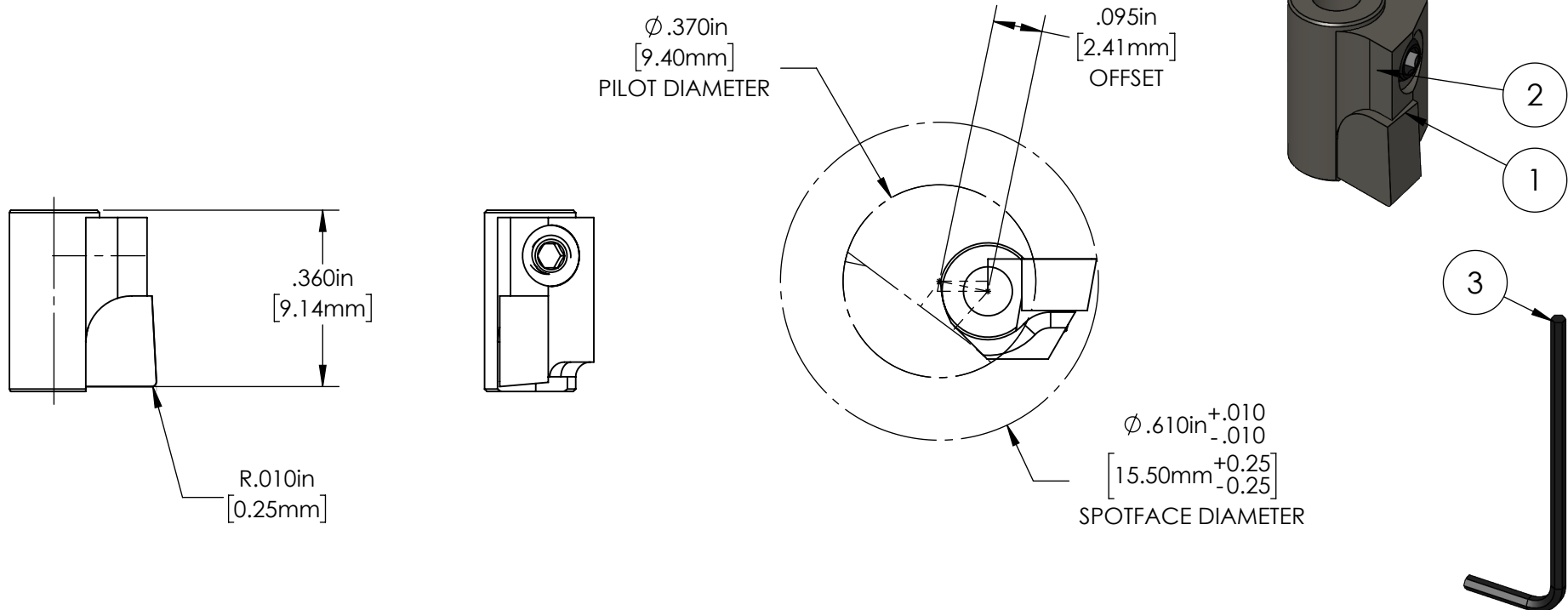
2

1

REVISIONS				
ZONE	REV.	DESCRIPTION	DATE	APPROVED
	A	RELEASED	1/20	M.Hoyt

C

C



B

B

A

A

CARBIDE: **MG**  
 COATING: **NONE**

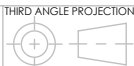
ITEM NO.	PART NUMBER	DESCRIPTION	QTY.
1	2037S	CUTTER BLADE BLANK	1
2	029-550	SOCKET SET SCREW, M2.5 X 0.45 X 3	1
3	031-050	HEX ALLEN WRENCH, 0.050in	1
4	2040	CARBIDE BLANK	1

THIS DRAWING IS THE CONFIDENTIAL AND EXCLUSIVE PROPERTY OF STEINER TECHNOLOGIES, INC. AND MAY NOT BE COPIED, REPRODUCED, OR DISCLOSED IN ANY WAY, WHATSOEVER TO ANYONE WITHOUT THE EXPRESS WRITTEN PERMISSION OF R. STEINER TECHNOLOGIES, INC. UNLAWFUL DISCLOSURE MAY RESULT IN PROSECUTION

UNLESS OTHERWISE SPECIFIED DIMENSIONS ARE IN INCHES

TOLERANCES UNLESS SPECIFIED  
 X.X ±0.020 X.XXX ±0.005 ANGLES ±0.5°  
 X.XX ±0.010 X.XXXX ±0.0005

INTERPRET TO ASME Y14.5M-1994



DRAWN BY: M.Hoyt  
 DWG DATE: 1/8/2020

ENDUSER: Steiner  
 FINISH: NONE

MATERIAL: 4140  
 HT:



**STEINER**

Steiner Technologies, Inc.  
 180 Perinton Pkwy  
 Fairport, NY 14450  
 (P) 888-327-1949

TITLE:  
 CUTTER BLADE Ø15.50 +0.25/-0.25

SCALE 5:1 DWG SIZE A  
 SHEET: 2 OF 2

REV. **A**

DRAWING NO.  
**CB38-15.50M**

4

3

2

1