

4

3

2

1

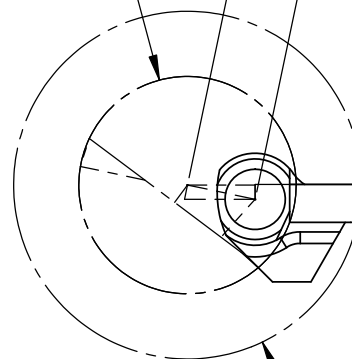
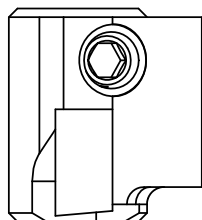
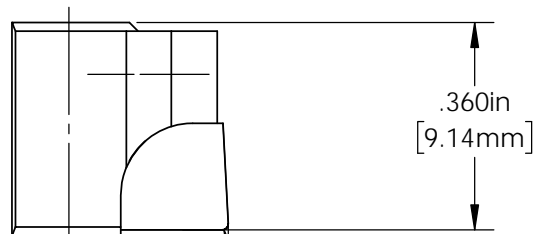
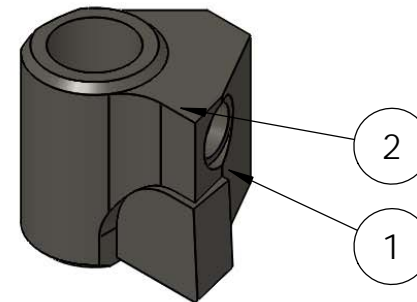
REVISIONS				
ZONE	REV.	DESCRIPTION	DATE	APPROVED
	A	RELEASED	1/20	M.Hoyt

C

C

Ø .566in
[14.38mm]
PILOT DIAMETER

.180in
[4.57mm]
OFFSET



Ø .906in^{+0.010}_{-.010}
[23mm^{+0.25}_{-0.25}]
SPOTFACE DIAMETER



B

B

A

A

CARBIDE: **MG**
COATING: **NONE**

ITEM NO.	PART NUMBER	DESCRIPTION	QTY.
1	2050	CUTTER BLADE BLANK	1
2	029-083	SOCKET SET SCREW, M3 X 0.5 X 3	1
3	031-15M	HEX ALLEN WRENCH, 1.5mm	1
4	2050	CARBIDE BLANK	1

THIS DRAWING IS THE CONFIDENTIAL AND EXCLUSIVE PROPERTY OF STEINER TECHNOLOGIES, INC. AND MAY NOT BE COPIED, REPRODUCED, OR DISCLOSED IN ANY WAY, WHATSOEVER TO ANYONE WITHOUT THE EXPRESS WRITTEN PERMISSION OF R. STEINER TECHNOLOGIES, INC. UNLAWFUL DISCLOSURE MAY RESULT IN PROSECUTION

UNLESS OTHERWISE SPECIFIED DIMENSIONS ARE IN INCHES
TOLERANCES UNLESS SPECIFIED
XX ±0.020 XXX ±0.005 ANGLES ±0.5°
XXX ±0.010 XXXX ±0.0005
INTERPRET TO ASME Y14.5M-1994

DRAWN BY: M.Hoyt
DWG DATE: 1/15/2020
ENDUSER: Steiner
FINISH: NONE
MATERIAL: 4140
HT:

STEINER
Steiner Technologies, Inc.
180 Perinton Pkwy
Fairport, NY 14450
(P) 888-327-1949
TITLE:
CUTTER BLADE Ø23 +0.25/-0.25

SCALE 5:1
DWG SIZE A
REV. A
SHEET: 2 OF 2
DRAWING NO.
CB56-23.00M

4

3

2

1